



CROSSTALK

NEWSLETTER OF THE
SEA AMATEUR RADIO CLUB

Volume 37 Number 6

June 2003

Field Day!!!

June 28 and 29

Polliwog Park, Manhattan Beach

From the editor:

This is it, the biggest event of the year for the club, Field Day! Everyone is welcome to get involved. Set up begins on Friday afternoon, June 27. For more info see page 3.

The W6TRW 2m net has started up again. Listen for it every Thursday night at 6:30 PM on the W6TRW 2m repeater. You don't have to be a club member to take part.

And keep sending articles and information for the Crosstalk to:

- *Crosstalk Editor, Jim Harrison K6OUE*
- jim.harrison@ngc.com

Don't forget!

- **Monthly club meeting: Tuesday June 10, 5:30 PM Round Table Pizza**
 - Speaker: ART GODDARD W6XD, ARRL Southwestern Division Director
- **Swap meet: Saturday June 28, 7:30 AM to 11:30 AM**
- **Field Day: June 28 and 29**

In This issue:

- *Field Day 2003 – Page 3*
- *Club Meeting – New HF Band – Page 4*
- *Radio Nostalgia from N6DMV – Page 5*

SEA ARC Monthly Calendar of Events

Second Tuesday of each month	5:30pm	Club Meeting Round Table Pizza, southeast corner Redondo Bch. Blvd. & Hawthorne Blvd.
Second Tuesday of each month	12:00 noon	Emergency Communications Team Meeting R3 Emergency Operations Center
Third Monday of each month	5:30 pm	Executive Board Meeting, R3/1036 (All Club Members are invited)
Last Saturday of each month (Rain or Shine & Holidays)	7:00 am	SEA ARC W6TRW Swap Meet Marine and Aviation (Southeast Corner)
During the Swapmeet	10:00 am	VE Exam Sessions in Cafeteria

Weekly Events

Every Monday Night (Except the 1st & Holidays)	7:30 pm	Disaster Communication Systems (DCS) Net DCS Members: Check in on 2m Rptr
Every Wednesday	12:00 noon	ECT Net on 2 meter Repeater All Amateurs Welcome
Every Wednesday	12:00 noon	NG Net 21.360 MHz
Every Thursday	6:30 pm	W6TRW Net on 2m Repeater All Amateurs Welcome
Every Thursday	7:00 pm	Space Hams Net on 2 meter Repeater with N6SHI and W6EKK
Every Mon, Wed, Fri	2:00 pm	W6TRW Retirees Net 7185 KHz
Every Friday Morning	7:30 am	SEA Amateur Radio Club Breakfast Building S Cafeteria - Everyone is invited Talk-in on 2 Meters

This is it, Field Day is here, June 28 and 29 in Polliwog Park. We will start set up a little after 11:00 o'clock on Friday 27 June. That is when the trailer should arrive at Polliwog Park. Field Day actually starts at 11:00 o'clock Saturday and runs for us until 11:00 o'clock Sunday. We will start the take down then. Lunch will be served for people helping to set up and take down. If you want to help in these activities please show up at Polliwog Park at the appropriate times. On Saturday evening there will be a Barbeque, which will cost \$5 per person or will be free to those who help during Field Day.

If you want to operate please contact the following Band Captains. E-mail is probably the best way.

80/10 Meters Phone/CW	Peter Livingston	W3CRI	Pete.Livingston@ngc.com
40 Meters CW	David Kunkee	K0DI	Kunkee@seal.aero.org
40 Meters Phone	Paul Lukas	N6DMV	Paul.Lukas@ngc.com
20 Meters Phone	Dave Lee	WA6MPF	Dave.Lee@ngc.com
20 Meters CW	Charles Beisel	AC6ZX	ac6zx@attbi.com
15 Meters Phone/CW	Will Washburn	KE6PNP	will.washburn@ngc.com
All Bands Digital Modes	Dennis Santiago	NB6I	NB6I@earlymaturity.com
VHF/UHF	Jim Harrison	K6OUE	Jim.Harrison@ngc.com
Satellite	Stan Johnson	W6EKK	Stanleyejohnson@att.net

Finally for those who want to get back on the air or who want some help initially getting on the air we will have a 'get on the air' (GOTA) station

GOTA	Duane Park	WA6EIK	Duane.Park@ngc.com
-------------	------------	--------	--

We always welcome help in the snacks, drink and meals area. If you want to help here please contact:

Logistics	Mike Hamada	KF6UCN	Mike.Hamada@ngc.com
------------------	-------------	--------	--

We had a great Field Day last year because of your support. We need your support to make it another great one, so please support your club.

73 Rod Scott – Field Day Chairman KE6PI@cox.net

UPDATE ON POLLIWOG PARK: There has been construction going on in the park over the last 6 months. It is supposed to be complete and the chain link fences coming down the middle of June. If for some reason, we cannot use the park; we will operate with the Northrop Grumman club at their site on the old landfill on Palos Verdes. Since this is a contingency position we have not worked out all the details. A decision as to where we go will be made by the next club meeting on June 10th. So stay tuned.



Field Day – Got Milk?

Each year, your ARRL Director, Art Goddard, W6XD, visits as many Field Day sites as possible. And each year Art hears about the little things that were forgotten that could have made Field Day even more fun. Join Art in this show-n-tell about the Most Frequently Forgotten Field Day items.

Art Goddard W6XD, the ARRL Southwestern Division Director will be the speaker at our club meeting June 10, 5:30 PM at the Round Table Pizza, Torrance, 4330 Redondo Beach Blvd. at the corner of Hawthorne Blvd.

Santa Maria Radio Swapfest

The flyer promoting the 31st annual Santa Maria Radio Swapfest, to be held on Father's Day, June 15th, is available at:
<http://www.satellitearc.com/swapfest2003.pdf>

Please pass this along to your fellow hams. Thanks!

73, Eric Lemmon WB6FLY
Secretary
Satellite Amateur Radio Club W6AB

New HF Ham Band!

Craig Gullickson N6ED

New 60-Meter Band Becomes Available July 3:

from W1AW Bulletin via the ARRL
Website: <http://www.arrl.org/> on June 3, 2003
View comments about this article!

New 60-Meter Band Becomes Available July 3:

The new five-channel 60-meter domestic secondary amateur allocation becomes available to US Amateur Radio operators at midnight local time on July 3. The FCC Report and Order granting the allocation was published June 3 in the Federal Register. Federal government users are primary in the 5 MHz band.

The FCC has granted amateurs use of five 2.8 kHz-wide channels with center frequencies of 5332, 5348, 5368, 5373 and 5405 kHz. The channels will be available to General and higher class licensees. The only permitted mode will be upper-sideband USB phone, and 50 W ERP is the maximum power allowed.

Users of the 60-meter channels should set their carrier frequency 1.5 kHz lower than the channel center frequency. ARRL suggests restricting transmitted audio bandwidth to 200 Hz on the low end and 2800 Hz on the high end for a total

bandwidth of 2.6 kHz. ARRL recommends that amateurs considering modifying existing amateur equipment for operation on 60 meters contact the equipment's manufacturer for advice.

The NTIA advised in a letter to the FCC Office of Engineering and Technology (OET) that users of 60-meters should set their carrier frequency 1.5 kHz lower than the channel center frequency, according to this NTIA chart:

Channel Center	Amateur Tuning Frequency
5332 kHz	5330.5 kHz
5348 kHz	5346.5 kHz
5368 kHz	5366.5 kHz
5373 kHz	5371.5 kHz
5405 kHz (common US/UK)	5403.5 kHz

Source: W1AW Bulletin via the ARRL.

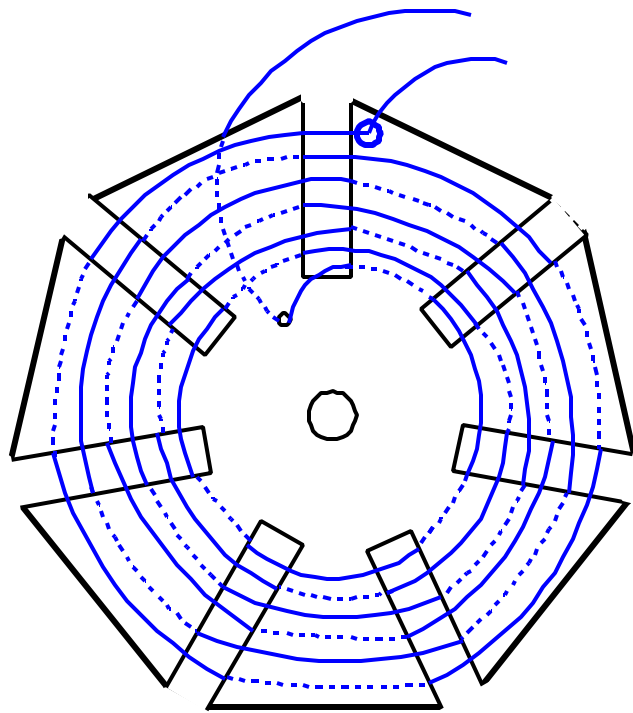
Some Radio Nostalgia Stories From a Past Age

Paul Lukas N6DMV

Here is part 3 of N6DMV's stories of his early life as a ham. There is more coming in future issues, so stay tuned! As Paul says, these stories were "*Encouraged and inspired by the W6TRW radio Club regular Friday morning discussions, I got some of the nostalgia items out of my aging brainfolds before they are lost for ever.*"

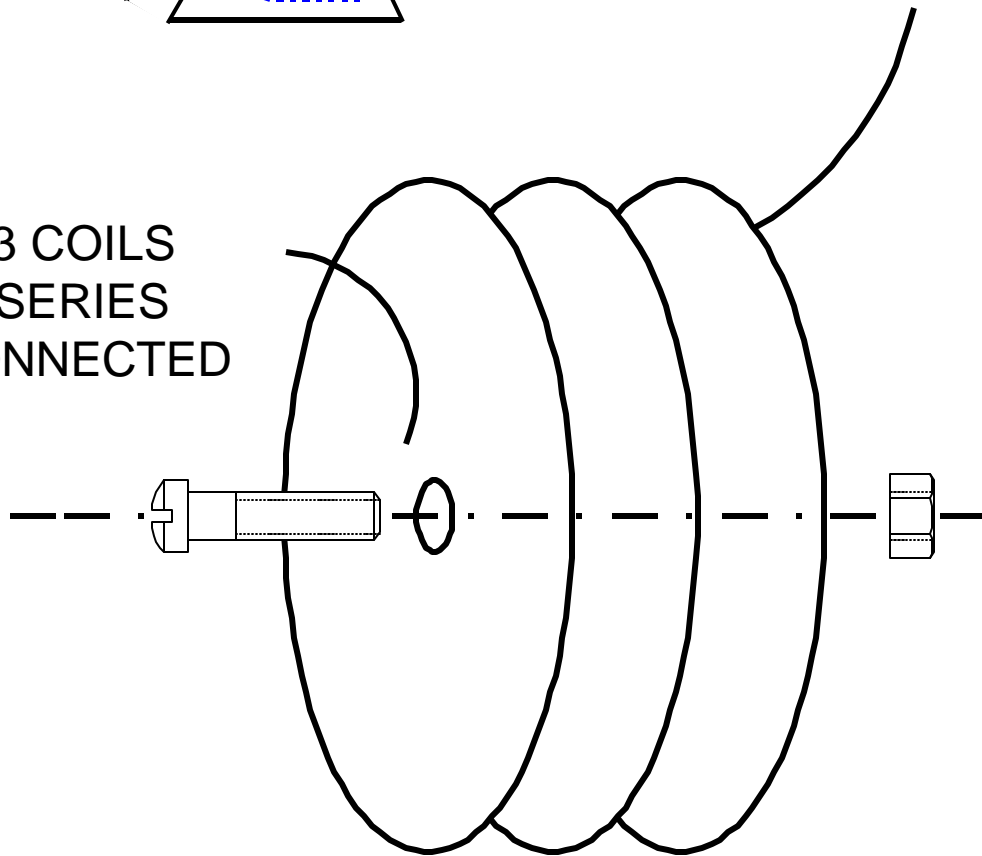
3. - The Small Green Hex Box.

A number of radios followed. Started reading technical articles popularizing simple sets, slowly beginning to understand a little of the principles involved what makes a radio work and why. An old man relative of mine, who has built crystal sets in just about anything possible: teapot, wooden railroad engine, flower vase, fake book, jewel boxes of all kinds and descriptions, etc. - donated a little jewel: a small hexagonal box painted two-tone green with all the banana jacks, crystal, and a 5-position switch. This was the tuning control. The set worked better than any of my previous ones, I was impressed. The box was so small - about 4 inches in diameter and 3 inches or so high - that I had no idea, how is it possible to have a coil inside. So, the first thing was to take it apart. I found in the inside - to my amazement - 3 flat 'basket-bottom' style coils with taps, bolted together. The coilforms were made of a hard paper material. The heptagonal, near circular disks of the coils were slotted radially, where the coil wire was wound - in-and-out at each slot. Each coil body had 7 slots [has to be an uneven number] and I realized that the reason was to separate the wire turns from each other! As I learned later, this maneuver markedly increases the quality of the coil. It started dawn on me, how to make better coils. I would happily give one of my hi-tech transceivers for that little gem, if I could. Page 6 illustrates the method of the basket weave coil, page 7 is the picture of the radio.



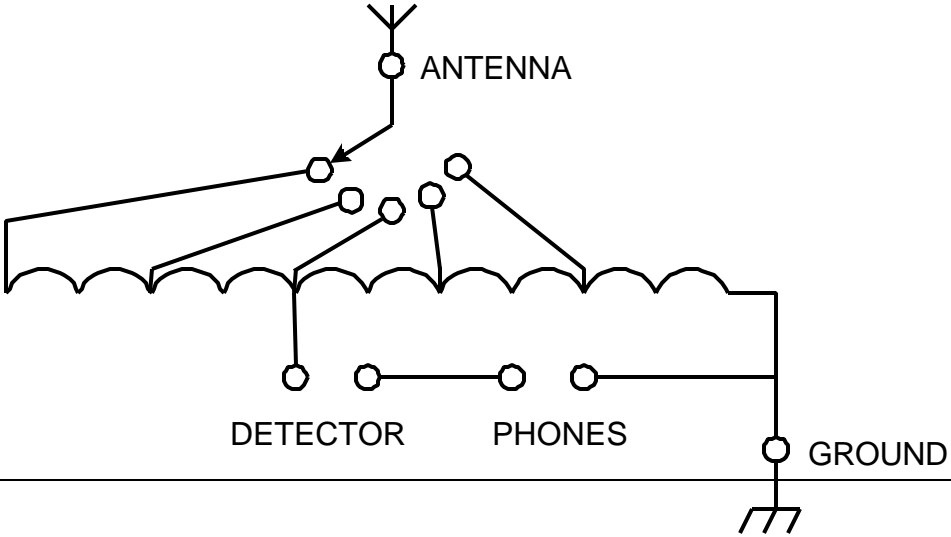
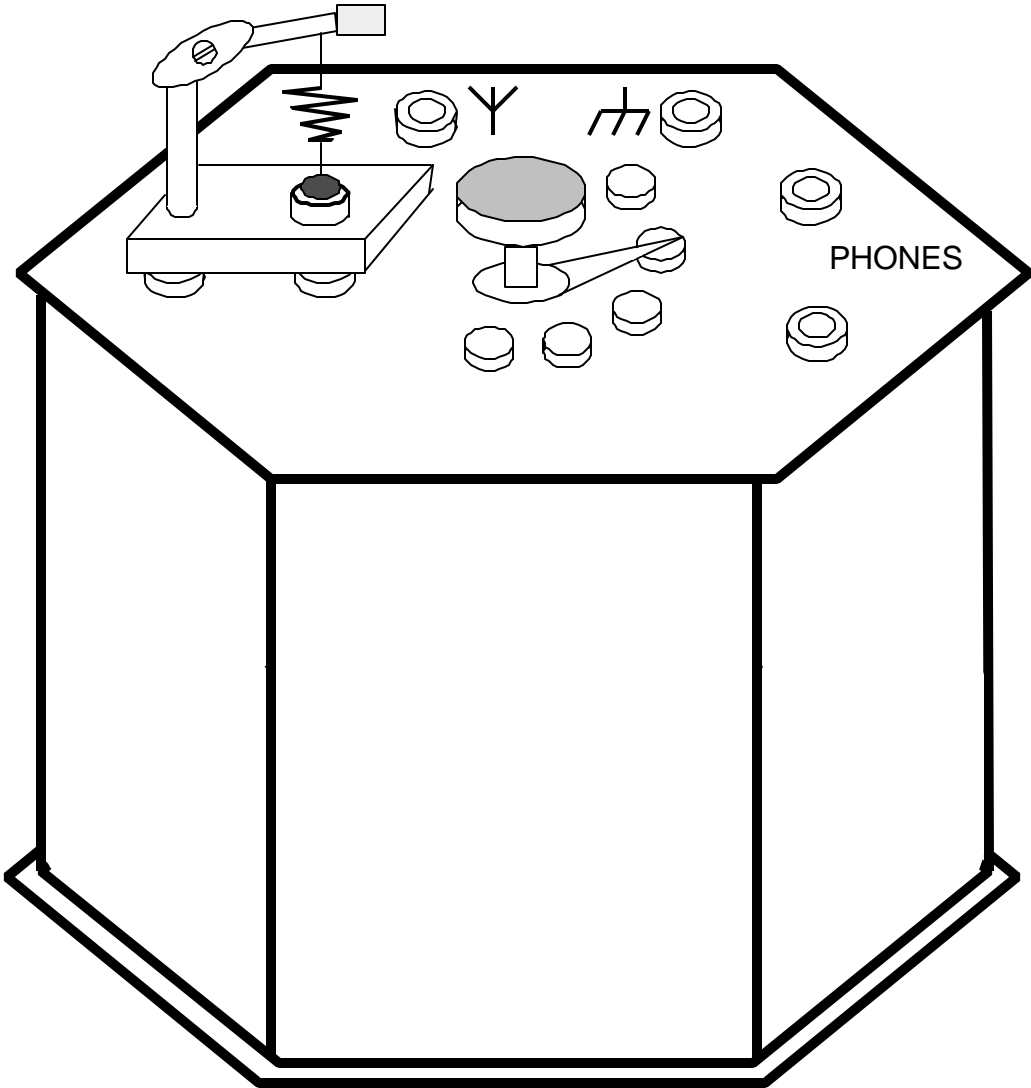
BASKET WEAVE
COIL

3 COILS
SERIES
CONNECTED



TAPS

The Little Green Hex Box



SEA AMATEUR RADIO CLUB

ELECTED OFFICERS

President	Wendell Young	KE6ASC	R3 / 1086	(310) 813-7691
Vice President	Mike Hamada	KF6UCN	M5 / 0560	(310) 814-2628
Secretary	Wendy Crawford	KQ6CG		(310) 374-0795
Treasurer	Jason Fujino	KD6ELS	R5 / 2130	(310) 812-5461

APPOINTED STAFF

2m Repeater	John Cheatham	KE6OJM	R9 / 2477	(310) 813-5903
447 Repeater/Autopatch	Duane Park	WA6EIK	O1 / 1070	(310) 813-4219
Activities Chairperson	Mike Hamada	KF6UCN	M5 / 0560	(310) 814-2628
Crosstalk Editor	Jim Harrison	K6OUE	R6 / 2541	(310) 814-1937
Emer. Comm. Coordinator	Wendell Young	KE6ASC	R3 / 1086	(310) 813-7691
Librarian	Jim Harrison	K6OUE	R6 / 2541	(310) 814-1937
Membership Chairperson	Wendy Crawford	KQ6CG		(310) 374-0795
Past President	Bob Briggs	KD6WYQ	O1 / 1270	(310) 813-2622
Publicity Chairperson	Wendy Crawford	KQ6CG		(310) 374-0795
QSL Manager	Rod Scott	KE6PI	R7 / 2041	(310) 813-1493
Shack Master	Pete Livingston	W3CRI	R1 / 1096	(310) 813-9550
S.P. Packet/Internet Sysop	Chris Wachs	WA2KDL	M4 / 2375	(310) 813-1506
SEA Representative	Chris Wachs	WA2KDL	M4 / 2375	(310) 813-1506
Swap Meet Manager	Greg Martens	N6RRY	M1 / 1275	(310) 813-4049
Technical Chairperson	John Cheatham	KE6OJM	R9 / 2477	(310) 813-5903
Training Chairperson	Bryan DeAro	KN6OW	120 / 1020B	(310) 812-4789
Trustee of W6TRW License	Duane Park	WA6EIK	O1 / 1080	(310) 813-4219
Webmaster w6trw.com	Duane Park	WA6EIK	O1 / 1080	(310) 813-4219

SEA ARC Hotline (Club Answering Machine) (310) 813-8569
W6TRW 2 Meter Repeater (Open Repeater) 145.32 (-600) PL 114.8Hz
W6TRW UHF Repeater (Open Repeater / Closed Autopatch) 447.00 (-5 MHz) PL 100 Hz
W6TRW-3 Packet Radio Internet Gateway and BBS (1200 Baud Port) 146.745 (-600)

W6TRW Internet Home Page

<http://www.w6trw.com/>

SEA Amateur Radio Club

FIRST CLASS

S/1156

One Space Park

Redondo Beach, CA 90278

Deliver To:

