



cross talk



WAC
WAS
DXCC
FD'71
FD'73

NEWS BULLETIN OF TRW AMATEUR RADIO CLUB



Sponsored by Systems Employees Association

December, 1980

NEXT MEETING:	WED., NOON, DEC. 17, 1980
LOCATION:	R4-1041
SPEAKER:	Bill Ivey WA6QET Fast Scan ATV

From The Prez.

Al Lee, W6KQI

NORTH POLE

The revisions to our constitution as presented in the Nov. Crosstalk were approved by a majority of full members present at the November regular meeting. What was not approved, was the changing of the annual dues. What was overlooked was that it was not presented to the membership in the proper manner. The discussion resulted in questions like: (1) Do we really need the increase? (2) Is the proposed approximately 10% increase enough for what the club needs? After looking over the proposed budget for 1981, if SEA meets the requested sum of \$1400.00 we will be able to continue our club operations without changes, but the chances of receiving that amount is very unlikely. Therefore, at the recent executive board meeting the various options were discussed and it was finally decided to present the dues changes as previously approved by the board. So, elsewhere in this issue of Crosstalk are the details of the changes. The by-laws may be amended by a majority vote of those present at a regular meeting, so please plan on voting in this meager change so that we can maintain the operations as in the past.

A special meeting was held on Wednesday, December 3, in Bldg 01, room 1150 to discuss our club participation in establishing a 2 meter repeater. This will be the topic of our upcoming December 17th noon meeting. We may receive an offer from TRW that we can't refuse.

73's Al



AUCTION

W6TRW Ham Radio Club members who came over to the station at building 65, Saturday, November 29, 0800 HR to load up the auction items are the following. Al Lee, Bill Rodner, Fred Garrett, Steve O'Neal, Gary Komatsu, Gary V., Wayne Hale, Wally Linstruth, Gary Cooper, Mat O., Charley Steelman. I wish to "Thank You" for the time you gave, making many trips up and down the stairs to fill the truck (two full loads). With the number of hands, the job was completed by 0820 and you could get on to what else you wanted to be doing.

Jack Clarke again did a great job for the club as auctioneer. Steve O'Neal and myself worked the items to the auction block while Jack really got hot selling whatever we put in front of him. The auction got started about 0900 and at 1015 we broke-it off. The rest of the boat anchors were moved by people picking thru the boxes and donating what they wanted to the club. By 1100 Fred Reed took what was left, for the school he works for. I mean we didn't bring anything back except Rodner got stuck with 20 or so boxes, that didn't sell so he carried all back up stairs again. He also fell thru the floor and skinned his leg.

Again, you guys are W6TRW and its 'you' who makes the Swapmeet a success. Your continuing support will keep our Swapmeet going for the Southern California area. The members who were unable to respond this time, I hope will be free to help out when called in the future.

73 Bill Dews K6AWO

TIME TO RENEW

Like all good things which must come to an end, so is your membership in the TRW/ARC. The new application will be sent to "on site personnel" after the 1st of the year. The associate member, and TRW retired will receive their application with January Crosstalk.

The reason for the delay is that you the members must vote on a dues change this 17th of Dec. at the club meeting. Al Lee will have information this Crosstalk. Please fill out the new application and send a check as soon as you receive it so your membership will continue thru 1981. TNX's.

Membership Chairman, Bill Dews K6AWO

Bill Ivey WA6QET

Amendment to the Constitution By Laws to be voted upon at the December general meeting.

The cost of doing business for the TRW/ARC Club has been following the normal inflationary rates since the last dues change in 1968.

In order that we may remain a viable club and continue the club's commitments, as well as, address what the Sea Council considers to be the necessary ratio of dues between full members and associate members to receive Sea support, the following amendment is respectfully submitted to the membership.

Revision of Bylaws Section 3.

Original Reads:
Section 3. Dues

A regular yearly assessment of \$4.00 per full members, \$5.00 per associate member, \$1.00 per family member, and \$2.00 for members who are retired TRW employees is hereby assessed in accordance with the provisions of Article VI of the Constitution for the purpose of providing funds for current expenses.

Revised to Read:

Section 3. Dues

A regular yearly assessment of \$5.00 per full member, \$7.00 per associate member, \$1.00 per family member, and \$3.00 for members who are retired TRW employees is hereby assessed in accordance with the provisions of Article VI of the Constitution for the purpose of providing funds for current expenses.

Bill Ivey WA6QET

Support for a Repeater at W6TRW

The TRW/ARC radio club is developing a means for support/backup of the Security department in the event of an emergency. To this end, the TRW/ARC will receive 15 hand-held transceivers that were ordered by the Security Services Department to be used for emergency communication.

A follow on discussion of means of support for a repeater to augment reliable communication and signal strength throughout the area will be made at the December general meeting. Topics of discussion are: Potential sources of Financial resources. ie, Donations, Company sponsorship, individual effort of members or ?

This discussion is open to all members present at the December general meeting.

LATEST CALLSIGNS - Latest callsigns issued by FCC as of August 1, 1980:

EXTRA	ADV.	GEN./TECH.	NOVICE
K06Z	KD6JO	N6DGI	KA6MVL
KC7U	KB7OQ	N7BX0	KA7IRD

QSL CARDS

The club currently has about 4000 Blank QSL Cards of the Pioneer Style available at \$3.60/100. Contact Neal Hudson, N6NW at x 50345.

KI6E, Dick Sawdey, now has the capability to print or overprint QSL Cards at his home at prices to be negotiated. Dick is familiar with the TRW Cards and may be reached at 679-8677. Dick is a member of URAC in San Pedro.

SWAPMEET

The Swapmeet drew another fine crowd Saturday, November 29. This was our 30th consecutive monthly Swapmeet with no interruption like rain, etc. (knock on wood). The operators were Paul Weisz, K6YQ, Ollie Saunders, N6OS, and myself, WA6EVS. A new record - we dispensed 40 dozen donuts. (Thats a lot of donuts and a measure of our Swapmeet's growth).

The operators scheduled for December Swapmeet are Wayne Hale (W6IZK), Bill Dews (K6AWO), and Bill Rodner (K6AWS). A good sounding crew for the Christmas Holidays. See you all at the December 27th Swapmeet.

Bill S. WA6EVS

MINUTES OF THE EXECUTIVE COMMITTEE MEETING

Dec. 2, 1980

The Executive Committee meeting of the TRW Amateur Radio Club was called to order at 1900 hours at Sala's Restaurant by the Club President, Al Lee, W6KQI. In attendance were Bill Ivey (WA6QET), Paul Weisz (K6YQ), Bill Daley (K6BO), Jim Hill (W6IVW), Bill Rodner (K6AWS), Bill Schrecengost (WA6EWS), Gary Komatsu, (K6HPD), and Woody Ornellas (AA600). The following topics were discussed:

- . Al Lee reported that we received a thank-you letter from Mary Jane Erb, who was hospitalized recently.
- . Bill Daley reported that HAMCON will be reimbursing us \$100 - \$125.
- . Gary Komatsu still needs a frequency pair for the repeater. Several monitors are reporting to him.
- . Bill Ivey called a special meeting on Dec. 3 regarding club support for the repeater.
- . Bill Schrec. reported that the order has been placed for the jacket patches.
- . Paul Weisz made a motion that the patches be put on sale to club members for \$2.00 each. Seconded by Ivey and passed.
- . The dues increase will be put to vote at the Dec. 17th, general meeting. There will also be a discussion regarding club support for a 2 meter repeater.

Respectfully submitted,

Woody Ornellas, AA600
Secretary, TRW/ARC

I would like to thank the readers for their comments on my reporting over the past two years.

LEARC

I was reminded recently that the Lockheed Employees ARC has cancelled their convention for 1981. The reason given for cancellation was the lack of exhibitor response. For 15 years they were the only major Amateur Radio Convention held in the Los Angeles area. It seems to me that the Amateur Radio Distributor's that we keep in business could have kept the LEARC convention in business.

WANTED:

Need manual for Heathkit Short Wave Receiver SW 717

Bill Schrec 536-1202 days
541-9780



A good fast scan ATV station can be built with a few modules at a time depending on your pocketbook, activity, and time. The block diagram below is an example of a fairly complete system.

The first items of importance are another interested ham and a means to communicate, such as on the national atv coordinating frequency 146.43 fm simplex during all your tests and development. A good antenna such as the J Beam, Belden 8214 foam coax, and a converter are next. If another station is transmitting to you on atv you can talk back to him on 146.43 at the same time to talk in his picture, rotate antennas, etc. Antenna should be at least at or above tree level as they absorb 400 mhz energy greatly. 8214 has the lowest loss of all the coaxes mainly due to the tightly woven braid...dont substitute. The converter receives any freq from 420 to 450 and outputs to channel 2 or 3, which ever is open in your area, into the vhf tuner of any regular tv set.

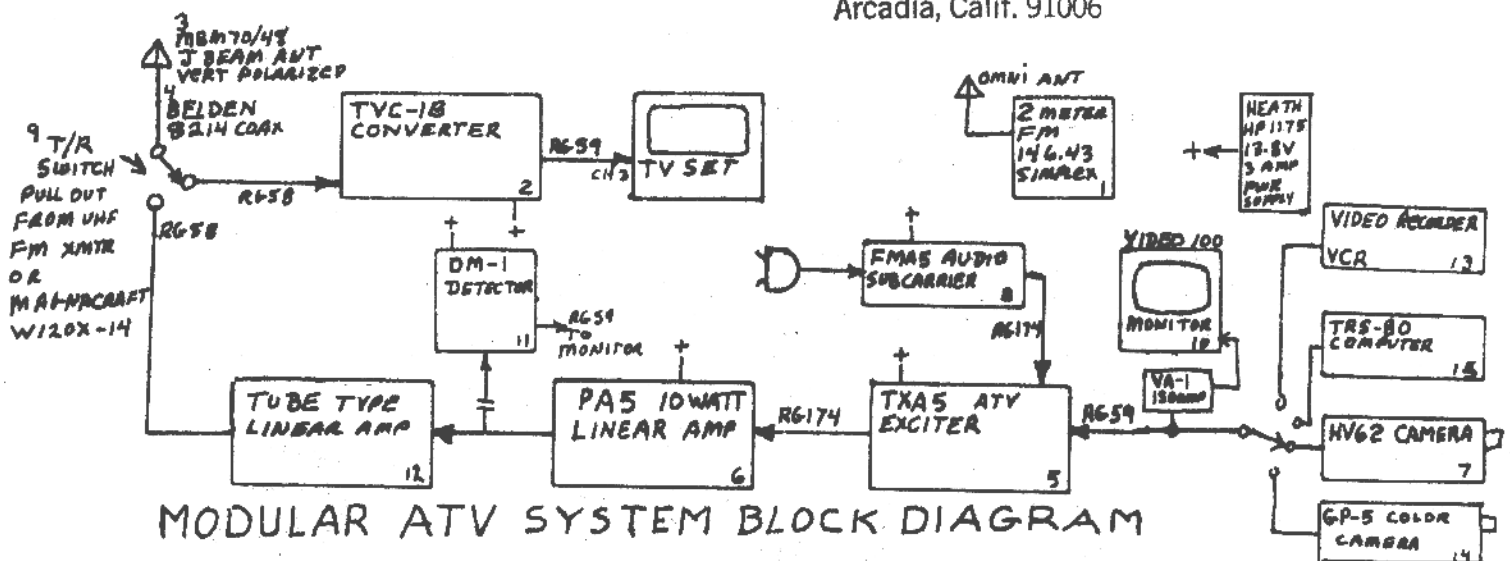
To transmit most run the txa5 / PA5 combination for 10 watts max carrier output. Usually you can work stations you can talk to on 2 meter simplex running omni antennas...15 to 100 miles depending on skip (fog, temperature inversions, reflections, etc). Next connect up any video source that has a 1 v p-p output into 75 ohms such as a camera, VCR, or computer, even rtty video from a Info Tech. To see ur own signal loop thru a video monitor, dont try to receive ur own because it will be a false indication due to overload. The FMA5 module can be added to give you sound with your video. T/R switches must be made for UHF work or there can be a lot of loss or VSWR. Old FM radios are a good source or the Magnacraft W120X-14 relay. A 4X250 linear can be added if you want more power. The tube type amps are very linear & work well. Transistor types will compress the sync tips, But generally you can run them at half power satisfactorily.

To power everything solid state a good regulated 12 to 14 VDC supply at 3 amps is necessary. Car batteries are good if there is good ventilation. The HV 62 camera can be made to go 12 v so portable and mobile atv can be done. There are more things that can be added like video ID and clock superimposed on the camera video, color cameras, special effects, home movies, just let your imagination go!

With video and UHF systems take the time to check all connections especially the coax and connectors. Video goes up to 8 MHz so treat it like RF.

73, TOM W6ORG

P. C. ELECTRONICS
2522 South Paxson Lane
Arcadia, Calif. 91006





MERRY CHRISTMAS AND HAPPY NEW YEAR
FROM THE OFFICERS AND STAFF OF THE TRW AMATEUR
RADIO CLUB

